

LM555EVGBSA

WEATHER RESISTANT ROLLING GARAGE DOOR OPENER

KEY FEATURES

WEATHER RESISTANT

Market Leading IP34 Rating

LIFTING POWER

Powers Spring Balanced 120Kg Doors

SMART



MYQ CAPABLE TECHNOLOGY LETS USERS CREATE SCHEDULES, MONITOR, RECEIVE ALERTS AND CONTROL THE GARAGE DOOR OPENER AWAY FROM HOME.¹

POWERFUL AND RELIABLE

WEATHER RESISTANT MARKET LEADING IP34 RATED HOUSING TO HELP PROTECT FROM THE ELEMENTS

SLIMLINE DESIGN DESIGNED FOR TIGHT SPACES. THE OPENER ONLY REQUIRES MINIMUM SIDE ROOM OF 40MM

LED LIGHTING 9 ULTRABRIGHT LED'S BUILT INTO THE OPENER

DUAL SPEED TWO TRAVEL SPEEDS PROVIDES GREATER CONTROL AND PERFORMANCE

QUIET AND POWERFUL MOTOR THE POWERFUL AND FAST DC MOTOR IS QUIET AND BUILT TO LAST WITH THE STRENGTH TO OPEN ANY GARAGE DOOR OR SHED

IMPROVED TRANSMITTER RANGE TESTED AGAINST OTHER PRODUCTS, THESE TRANSMITTERS HAVE UP TO 18% BETTER RANGE WHICH MEANS YOU CAN START OPENING YOUR GARAGE DOOR SOONER

2 YEAR WARRANTY FULL 2 YEAR PRODUCT WARRANTY FOR PEACE OF MIND

SECURE

TIMER-TO-CLOSE AUTOMATICALLY CLOSES THE DOOR AFTER A PRESET AMOUNT OF TIME

SECURITY+ 2.0® TRANSMITTERS COMMUNICATE ON MULTIPLE FREQUENCIES WITH ENCRYPTED ROLLING CODE. THIS ENSURES THE STRONGEST FREQUENCY IS SELECTED EVERY TIME, VIRTUALLY ELIMINATING INTERFERENCE WHILE PROVIDING THE HIGHEST LEVEL OF SECURITY

E-LOCK CONTROL PANEL BUTTONS CAN BE LOCKED, PROVIDING BETTER SECURITY

LM555EVGBSA

WEATHER RESISTANT ROLLING GARAGE DOOR OPENER



INCLUDED ACCESSORIES

PREMIUM+ REMOTE CONTROL

Each button is independently programmable and backed by Security+2.0 and Security+



ME960-LM

WIRED PUSH BUTTON

Illuminated push button that allows you to open 1 garage door



75EV

POWERFUL ADD-ONS

PHOTOCELLS

(Safety IR Beams) auto-reverses the door if there's an obstruction



771ESA

MYQ GATEWAY

Gateway device to enable myQ functionality



828EV

¹ Additional purchase of myQ Gateway and Safety IR Beams accessories required to enable myQ functionality. Visit LiftMaster-me.com for further information.

MASTERFUL ENGINEERING.

MOTOR



- Heavy-Duty 24V DC
- Automatic Thermal Protection
- Permanent Lubrication

POWER



- 220-240V AC
- 50-60 Hz Voltage

MECHANICS



- **Steel Chassis and Plastic Cover**
- **Auto-Force** Adjustment for Changing Weather and Environmental Conditions
- **Electronic Limits** for Easy Setup

DIMENSIONS



- **Max. Door Size:** 3m high by 5m Wide. Max 15m²
- **Max Spring Balanced Load:** 15Kg

SAFETY AND SECURITY.

SAFETY

- Alert-2-Close/Unattended Close Operation^{††}
- Emergency/Quick Release
- Ventilation/Pet Opening
- Down Safety Reverse
- Up Safety Stop
- Maintenance Alert System

^{††} Note: to reduce the risk of injury to persons, only use Alert-2-Close/Unattended Close Operation features when installed with a sectional door.

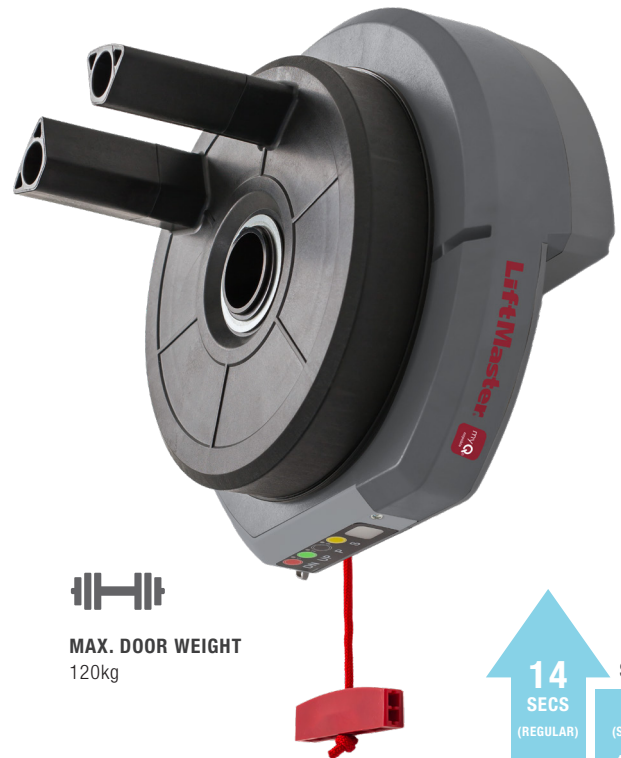
SECURITY

SECURITY+ 2.0[®]

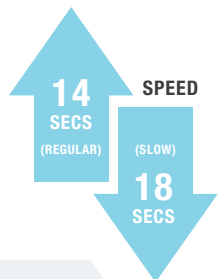
RADIO CONTROLS

Premium+ Remote (ME960-LM)

- Remote Control: 433 MHz Tri-Band*
- Tri-band on Security+ 2.0 coding only.



MAX. DOOR WEIGHT
120kg



SHIPPING.

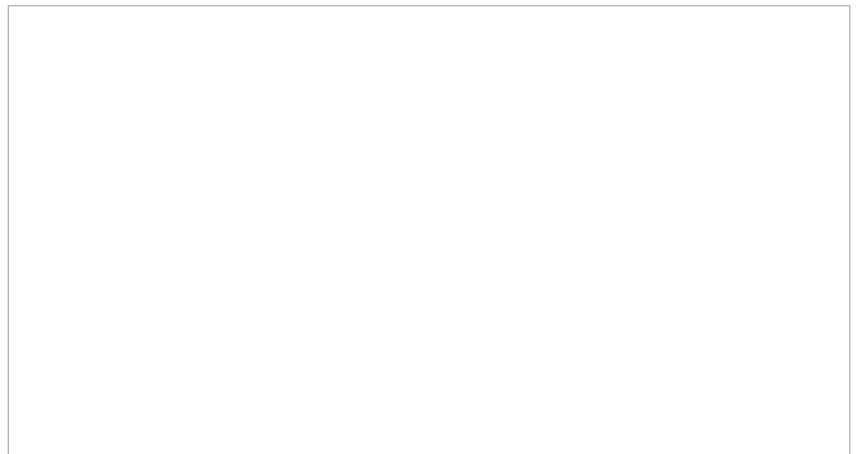
SHIPPING WEIGHT

6.35kg

CARTONS (1)

CARTON 1: L 33cm x W 32cm x H 19cm

- Garage Door Opener (LM555EVGBSA)
- ME960-LM Security+2.0 Premium+ Remote Control
- 75EV Wired Push Button



LM555EVGBSA

WEATHER RESISTANT ROLLING
GARAGE DOOR OPENER