

eDrive +2.0

The Industry-Leading Operator for Spring-Balanced Roller Shutters and Grilles

ML5103A406 (L/R)

Commercial Door Operators / Roller Shutter Operators / eDrive +2.0

The eDrive +2.0 is the industry-standard for quality, durability, adaptability and intelligence. With numerous models to select from (depending on door size and cycles) as well as multiple expansion options the eDrive +2.0 is the logical choice for automating spring-balanced roller shutters and grilles.

Key Features

- Powerful range of motors with purpose designed gearbox for durable, reliable operation
- Intelligent logic system for exceptional adaptability and integration into the building ecosystem
- Optional expansion board for advanced functionality
- Automatic chain-engage mechanism for safe and easy manual operation in the absence of power
- Absolute Position Encoder for reliable door positioning and improved safety. Motor is disconnected the instant the manual hand chain is engaged

What's in the Box?

eDrive +2.0 Operator, Wall Control, Mounting Hardware

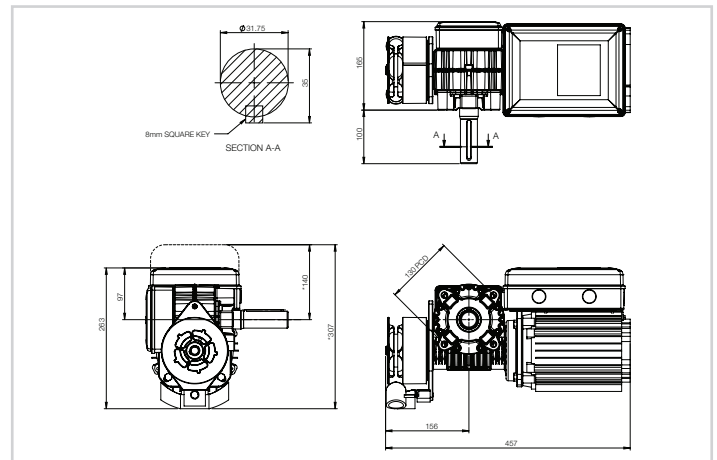
Information for Roller Shutters

All operators have a recommended maximum Roller Shutter area listed in the specification table. All recommended sizes are based on a "Standard Roller Shutter" (refer below):

- The Shutter is correctly spring balanced
- The Shutter has max 1.0mm x min 100mm slats, with a Diameter 150mm drum for shutters max 36m², or Diameter 200mm drum for shutters 36 - 50m²
- The Shutter has no wind-locks
- A sprocket ratio \geq 4:1 is used



Product may differ slightly from image shown.



Product may differ slightly from image shown.

Model Details

Part No.	ML5103A406 (L/R)
Description	eDrive +2.0 RSO L/C 1.0Hp 3PH C10A-4 IP44

(L/R) indicates which side of the door opening the motor is mounted to (when viewed from inside the building). For example a model with an "L" suffix is mounted to the top left of the door opening.

Optional Controller Upgrade

Part No.	EB1
Description	eDrive +2.0 Expansion Board with High Lid

Controller upgrade separately available. Please refer to the relevant Specification Sheet for details.

Specifications

kW	0.75kw	Phase	3ph
Amps	2.30A	Max SB Door Size	36m ²
Hp	1.0Hp	IP Rating	IP44
Voltage	415 50hz, 380-400V 60Hz	Duty Cycle	LC

LC = Low cycle (10% run time / hour).
 HC = High cycle (30% run time / hour).
 When specifying an upgraded model, please use the appropriate abbreviation before the "L" or "R" handing.
 For example ML5103A406WR.

Upgrades

No Neutral (N)	<input type="radio"/>
Pre-Wired (P)	<input type="radio"/>
IP55 (W)	<input type="radio"/>
Clutch (C)	<input type="radio"/>

Upgrades:
 O = Optional
 S = Supplied as standard
 N/A = Not applicable