

# GEARHEAD HOIST (GH) LOGIC 5.0 COMMERCIAL DOOR OPERATOR



**HEAVY INDUSTRIAL-DUTY APPLICATIONS**

- HEAVY INDUSTRIAL, HIGH-CYCLE DOORS**  
Lubricated Gear System and Numerous Custom Modifications
- LARGER/HEAVIER ROLLING DOORS AND GRILLES**
- LARGER/HEAVIER SECTIONAL OVERHEAD DOORS**  
Side Mounts to the Wall for Vertical or High-Lift Doors

## SMART

**MyQ® TECHNOLOGY** ENABLES MONITORING AND CONTROL OF THE FACILITY OPERATORS THROUGH A MOBILE APP.

**GRID VIEW** TO EFFICIENTLY MONITOR ALL THE DOORS IN THE FACILITY.

**REAL-TIME ALERTS** INDICATE THE STATUS OF DOORS VIA EMAIL OR PUSH NOTIFICATIONS.

CONNECTIVITY REQUIRES PURCHASE OF INTERNET GATEWAY (828LM) OR MyQ HOME BRIDGE (819LMB), SOLD SEPARATELY.

## SAFE AND SECURE

**SECURITY+ 2.0®** SAFEGUARDS FACILITY ACCESS WITH ROLLING CODE TECHNOLOGY, OPENING FOR REGISTERED DEVICES ONLY.

**TIMER-TO-CLOSE** CAN BE PROGRAMMED TO CLOSE THE DOOR AFTER A SET AMOUNT OF TIME.

**THE COMMERCIAL PROTECTOR SYSTEM®** AUTO-REVERSES THE DOOR IF AN ENTRAPMENT PROTECTION DEVICE DETECTS AN OBSTRUCTION.

UL 325 REQUIRES ALL COMMERCIAL DOOR OPERATORS TO BE EITHER CONSTANT PRESSURE TO CLOSE OR BE EQUIPPED WITH A PRIMARY EXTERNAL MONITORED ENTRAPMENT DEVICE.

## RELIABLE

**CONTINUOUS-DUTY HIGH-STARTING TORQUE MOTOR** PERFORMS IN DEMANDING INDUSTRIAL OVERHEAD AND ROLLING DOOR APPLICATIONS.

**WARRANTY** 2 YEARS.

**BEYOND INDUSTRY STANDARDS:** LIFTMASTER® IS COMMITTED TO QUALITY PRODUCTS, INNOVATIVE DESIGN AND COMPREHENSIVE SERVICES.

## ACCESSORIES:

### COMMERCIAL PHOTO EYES

Indoor use; NEMA 1 rated;  
max. range: 30 ft.



CPS-U

### COMMERCIAL PROTECTOR SYSTEM

Heavy-duty industrial housings;  
indoor/outdoor use; NEMA 4 rated;  
max. range: 45 ft.



CPS-UN4

### OPTICAL EDGE SYSTEM

Infrared optical sensors in a customizable rubber enclosure are protected against water; indoor/outdoor use; NEMA 6 rated;  
max. range: 33 ft.



OES

### INTERNET GATEWAY

Enables smartphone monitoring and control of each operator.



828LM

# MASTERFUL ENGINEERING.

## MOTOR

- Available in 1/2, 3/4, 1, 1-1/2, 2 and 3 HP (5 HP GH Operator Not Available in Logic 5.0; Available in Mechanical Only)
- Instant Reverse and Overload Protection
- Capacitor Start on Single-Phase
- Removable without Affecting Limit-Switch Settings

## POWER

- Dual-Voltage Connections
  - Single-Phase: 115V and 230V
  - 3-Phase: 208V, 230V and 460V
  - Discrete Model: 575V
- Customizable Voltage to Meet Job Requirements
- 5V DC NEC Class 2 Control Voltage

## COMMERCIAL-GRADE DESIGN

- Sealed Roller Bearings** in Gear Reducer
- Floor-Level Disconnect** and Chain Hoist with Electrical Interlock for Hoist Operation in an Emergency
- Solenoid Brake** Standard on All Models
- Drive Reduction:** 45:1 First Stage Using Heavy-Duty Gears Running in Oil Bath; Cast-Iron Housing; Special "All Climate" Synthetic Gear Oil for Greater Low-Temperature Performance; #50 Output Sprocket Chain

## STANDARD SPECS.

### SECURITY+ 2.0® RADIO RECEIVER

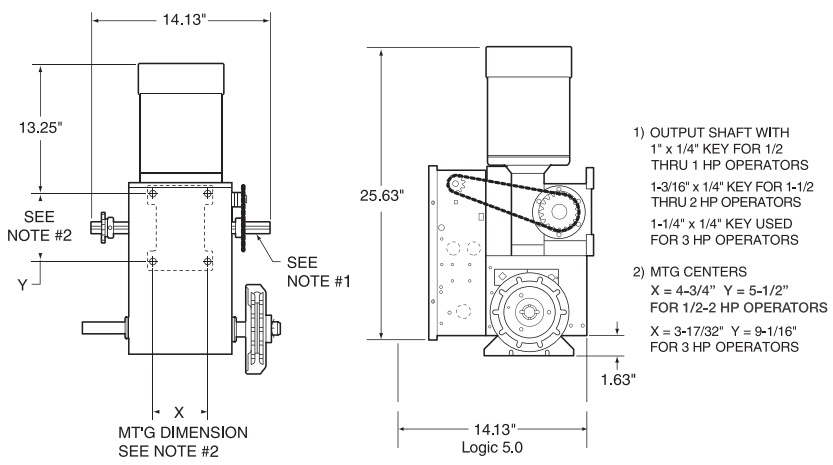
- ACCEPTS:**
- (30) 3-Button Remote Controls or (90) 1-Button Remote Controls
  - Additional 30 Wireless Keypads
  - Unlimited DIP Switch Remotes

### WIRING

- Control Function Selector Dial Allows Easy Selection of 7 Wiring Types to Meet Users' Needs
- C2 (Constant Pressure to Close) Wiring Preset
- Wiring Types B2, T, TS and FSTS Can Be Selected with the Addition of an Entrapment Protection Device
- Monitored Entrapment Protection Is Recommended When Using C2, D1 or E2
- Logic 5.0 Operators Only Accept UL-Approved LiftMaster® Entrapment Protection Devices

### CONSTRUCTION

- NEMA 1 Type Electrical Box
- Heavy-Duty 11-Gauge Steel Frame with Durable Powder-Coated Finish
- Mid-Stop Enables Partial Openings to a Programmed Position for Environmental Control and Time Savings



MAXIMUM DOOR AREA (SQ. FT.)						
ROLLING	24 GA. STEEL	22 GA. STEEL	-	20 GA., 18 GA. STEEL	16 GA. STEEL	-
	ALUMINUM GRILLES	ALUMINUM DOORS	-	STEEL GRILLES	-	-
SECTIONAL	-	24 GA., 22 GA. STEEL	20 GA. STEEL	-	16 GA. STEEL	-
	FIBERGLASS	ALUMINUM DOORS	WOOD DOORS	-	-	-
	-	-	24 GA. STEEL INSULATED	-	20 GA. STEEL INSULATED	16 GA. STEEL INSULATED
HP	1/2	325	300	275	250	225
	3/4	480	430	390	340	275
	1	650	560	500	430	325
	1-1/2	-	-	680	540	425
	2	-	-	-	640	560
	3	-	-	-	875	840
5	PLEASE CONTACT YOUR LIFTMASTER SALES REPRESENTATIVE FOR MORE INFORMATION.					

## MODIFICATIONS AND ACCESSORIES. BUILT FOR ANY APPLICATION.

- **Damp Environment (C-Prefix):** Moisture-Resistant Electrical Box, Push-Button Control Station and Photo Eyes with TEFC Motor and without Solenoid Brake; N4 and N4X Environmental Modifications Also Available
- **TLS1CARD:** Timer Light Status Plug-In Option Card (Typically Used to Control Red/Green Traffic Light and Audible Devices)
- **AUXCARD:** Auxiliary Contacts Plug-In Option Card (with Relays That Change State While the Door Is Moving and When the Operator Is Powered Down)
- **Auxiliary Limits:** Auxiliary Limit Switches at Open and Closed Limits to Control Lights, Heaters, Dock Levelers and Other Auxiliary Devices

For more detailed information or to configure your model number, please visit [Dealer.LiftMaster.com](http://Dealer.LiftMaster.com)